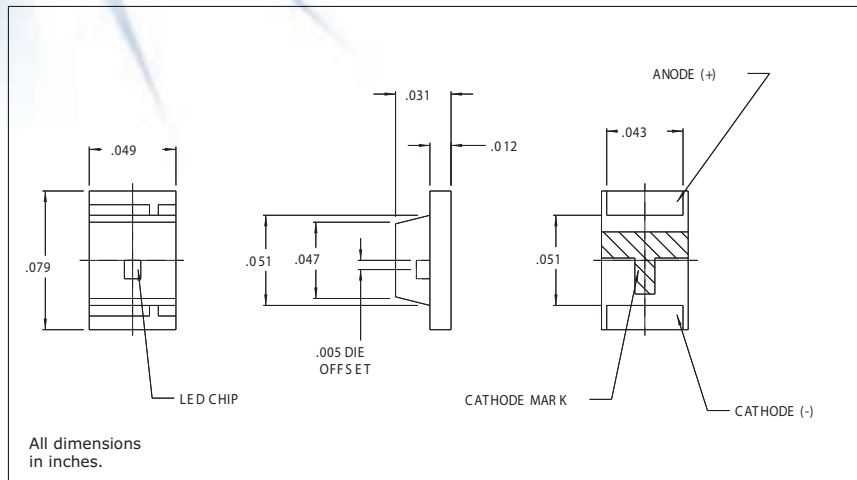


7012X Series Bright★Chips™ High Brightness SMT LEDs 0805 Package Size

DESCRIPTION AND FEATURES



- Premium brightness in miniature chip-type LED assemblies.
- Ideally suited for applications such as telecommunications, dataprocessing peripherals and networking units as replacements for through-hole products.
- Also ideal for backlighting or light pipe applications.
- Compact size: 2mm wide x 1.25mm deep x 1mm high
- 4000 pieces per reel
- Integral reflection cup maximizes output
- Compatible with full range of IR and vapor phase reflow processes, and conductive adhesives, to facilitate high-speed board loading.
- Packaged for automatic component placement in pocketed anti-static tape reels.
- Solderpad geometry on page 1-X2.

ELECTRO-OPTICAL CHARACTERISTICS AND RATINGS

PART NUMBER	7012X13	7012X5	7012X1	7012X7
Output Color	Yellow	Green	Red	Yellow/Green
Diffusion	Diffused	Diffused	Diffused	Diffused
Package Color	Clear	Clear	Clear	Clear
Test Current (mA)	20	20	20	20
Forward Voltage Typ. (V)	2.2	2.1	1.7	2.1
Forward Voltage Max. (V)	2.5	2.5	2.0	2.5
Luminous Intensity Min. (mcd)	2.2	3.8	7.0	7.0
Luminous Intensity Typ. (mcd)	3.7	6.4	11.7	11.7
Luminous Intensity Max. (mcd)	-	-	-	-
Peak Wavelength (nm)	580	560	660	570
Viewing Angle 2θ 1/2 (degrees)	-	-	-	-
Power Dissipation (mW)	62.5	62.5	50	62.5
Operating Temperature (°C)	-40 to +85	-40 to +85	-40 to +85	-40 to +85
Storage Temperature (°C)	-40 to +90	-40 to +90	-40 to +90	-40 to +90
Peak Forward Current Max. (1µs @ 10% duty cycle) (mA)	60	60	60	60
Reverse Voltage (IR=100µA) (V)	4	4	4	4
Lead Solder Time @ 260°C	5	5	5	5